

# METER Ultrasonic Level Transmitter

With removable programming display module



- 2 Wire Loop Powered 4-20mA transmitter up to 8 Metres operation.
- Optional 4 wire 24vDC transmitter with additional 2 relays.
- Modbus and Hart communication options.
- Removable programming display module.
- 2" Threaded process connection with optional flanged version available.
- LCD Large Matrix display.

The compact METER Ultrasonic level transmitter is a loop powered 2 wire transmitter able to measure up to a maximum of 8 Metres.

The METER has a removable display and programming module which simply plugs into the transmitter. The Large LCD matrix display allows the user to display either one variable with large digits or two variables with smaller digits from the 5 variables available – Distance in mm, Level in mm, Level %, Output in mA or temperature in ° C. The four push buttons allow the user to easily step through the menu and configure the METER.

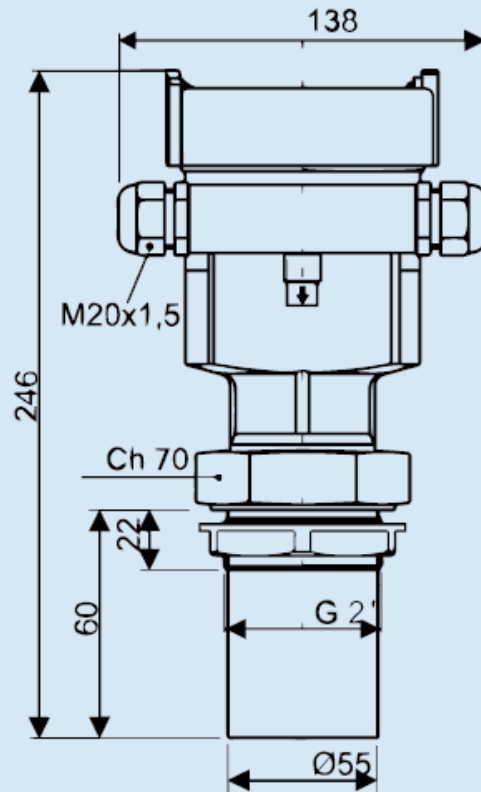
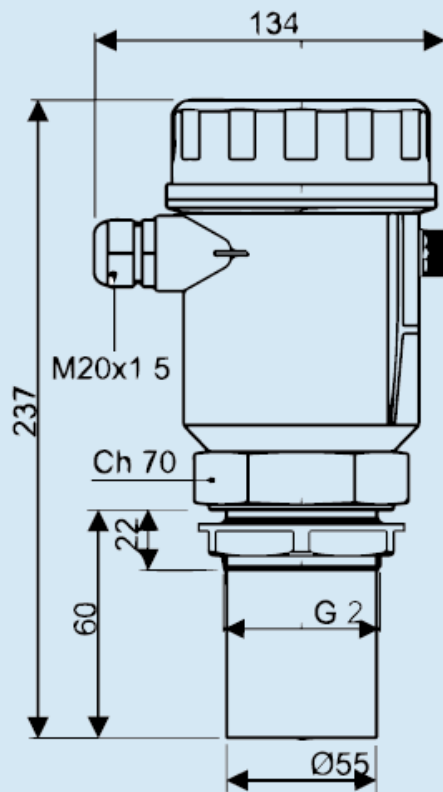
A four wire 24vDC version of the METER is available which has 2 relay outputs for alarm or diagnostic functions with 2 wire HART, 2 wire HART ATEX and four wire Modbus versions available. The HART and Modbus options allow remote calibration and set up. During set up the user can select whether the transmitter is for use on Liquids or Solids and has a built in programmable filter to smooth the response of the sensor.

All electrical connections are to internal push connectors simplifying the installation process.

## Specification

<b>Materials:</b>	PC or Aluminium Enclosure, Wetted Materials: Polypropylene
<b>Process Connection:</b>	2" GAS M Threaded connection, Optional Polypropylene flange
<b>Protection:</b>	IP67
<b>Operating Temperature:</b>	-30 to + 70 ° C
<b>Operating Pressure:</b>	0.5 to 1 Bar
<b>Power Supply:</b>	2 Wire: 20 - 30vDC, 4 Wire: 24vDC
<b>Power Consumption:</b>	2 Wire: 0.6W Maximum, 4 Wire: 1.5W Maximum.
<b>Relay Outputs:</b>	2 Off, Rated at 3A, 230vAC (Optional on 4 Wire version only.)
<b>Digital Communications:</b>	HART for 2 wire versions, Modbus RTU 4 wire version only.
<b>Measuring Range:</b>	0.25 to 5 Metres, 0.4 to 8 Metres.
<b>Sensor Blind Distance:</b>	0.25 Metres, 0.4 Metres
<b>Temperature Compensation:</b>	-30 to + 80 ° C
<b>Accuracy:</b>	± 0.5% of the measured value
<b>Resolution:</b>	1mm
<b>Warm Up Time:</b>	Typically 1 minute
<b>LCD Display:</b>	Plug in Matrix LCD display on 4 button keyboard.

## Meter Outline Dimensions



Enter Menu/ confirm programming items and parameter modification



Scroll programming items and choose the parameter you want to edit



Modify parameter values



Return to previous section / Exit menu

## Ultrasonic Level

### METER Ultrasonic Level Transmitter

Model	
METER	Ultrasonic Level 2 wire / 4 wire transmitter with detachable LCD plug-in display, 2" G2SA threaded process connection and 4 Push buttons for programming.
Version	Description
-	2-wire HART, ATEX II 1/2G Ex ia II C T6. (Amb Temp: -20 to +60°C) Range: 0-5 Metres
0	2-wire HART, ATEX II 1/2G Ex ia II C T6. (Amb Temp: -20 to +60°C) Range: 0-8 Metres
1	2-wire, 4-20mA. Range: 0-5 Metres
2	2-wire Hart. Range: 0-5 Metres
3	2-wire, ATEX II 1/2G Ex ia II C T6. (Amb Temp: -20 to +60°C) Range: 0-5 Metres
4	4-wire, 4-20mA, Modbus, 2 relays. Range: 0-5 Metres
5	2-wire, 4-20mA. Range: 0-8 Metres
6	2-wire, ATEX II 1/2G Ex ia II C T6. (Amb Temp: -20 to +60°C) Range: 0-8 Metres
7	2-wire HART. Range: 0.4-8 Metres
8	4 Wire, 4-20mA, 2 relays, Modbus. Range: 0-8 Metres
Housing / Sensor Materials	
F	PC with transparent cap. IP67
G	PC with blind cap. IP67
M	PC with transparent cap and anti-condensation. IP66
N	PC with blind cap and anti-condensation. IP67
U	IP67 Aluminium enclosure with transparent cap for ATEX versions
Power Supply	
4	24vDC (20-30vDC)
5	12vDC. Maximum 3m measuring distance. (Version 1 Only)
Accessories	
A	None
C	DN80 PN6 UNI 6091-71/PP flange
D	Keyboard / display programming module
H	2"BSP PP Fixing bolt
L	MC601 Module for connection to VLW601
S	MODBUS communication software (010F105A)
T	HART communication software (010E105A)

### Stock Items

Type No	Part No	Description
METER1F4D	3003	Ultrasonic level transmitter, 0-5 metres, 2-wire 24vDC supply, with display
METER4F4D	3004	Ultrasonic level transmitter, 0-5 metres, 24vDC supply, with display, 4-20mA, Modbus plus 2 relay outputs
METER1F4A	3012	Ultrasonic level transmitter, 0-5 metres, 2-wire 24vDC supply. No display
METER5F4D	3013	Ultrasonic level transmitter, 0-8 metres, 2-wire 24vDC supply, with display
METER5F4A	3023	Ultrasonic level transmitter, 0-8 metres, 2-wire 24vDC, No display
METER4F4L	3025	Ultrasonic level transmitter, 0-5 metres, 4 wire 24vDC supply, 2 Relays, MODBUS, MC601 module to connect with VLW601



These products comply with current European Directives

LTH Electronics Ltd reserves the right to make changes to this data sheet or the product without notice, as part of our policy of continued developments and improvements. All care has been taken to ensure the accuracy of information in this data sheet. However we cannot accept responsibility for any errors or damages resulting from errors or inaccuracies of information contained herein.

