

PME20 and WPA1 Series

HOLDERS FOR PG13.5 pH AND REDOX ELECTRODES



Features

- In line, dip or withdrawable holders
- Suitable for all PG13.5 pH and Redox Electrodes

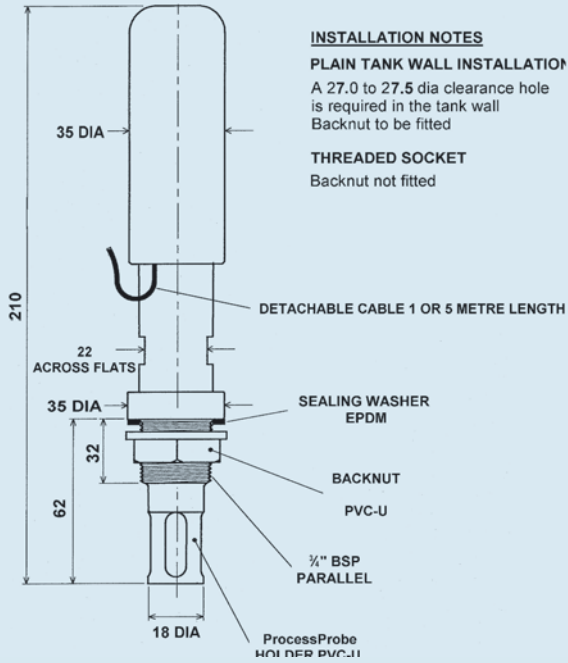
The PME20 series of PVC holders provide a very convenient way of mounting the sensor into an open tank, channel or pipework system. The holders are suitable for use with any PG13.5 style pH or Redox electrodes.

The WPA1 withdrawable holders allow the electrode to be removed from the line or tank without interrupting the process. By turning the rear cover of the holder the electrode is withdrawn from service and an O ring at the tip of the WPA1 seals the system.

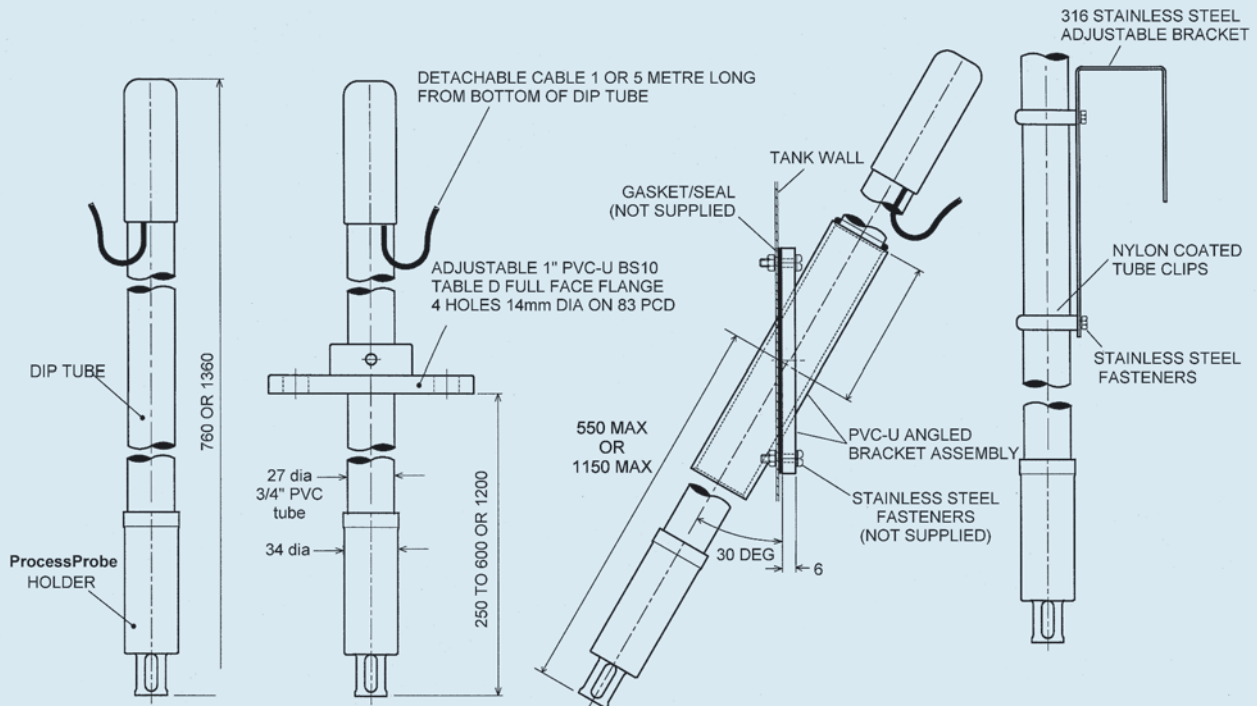
Only when the electrode is fully retracted can the rear cover be removed allowing the electrode to be unscrewed.

The WPA1 holders enable the electrode to be removed, calibrated and cleaned without need for expensive bypass lines and isolating valves. The WPA1 holder is available in CPVC or PEEK.

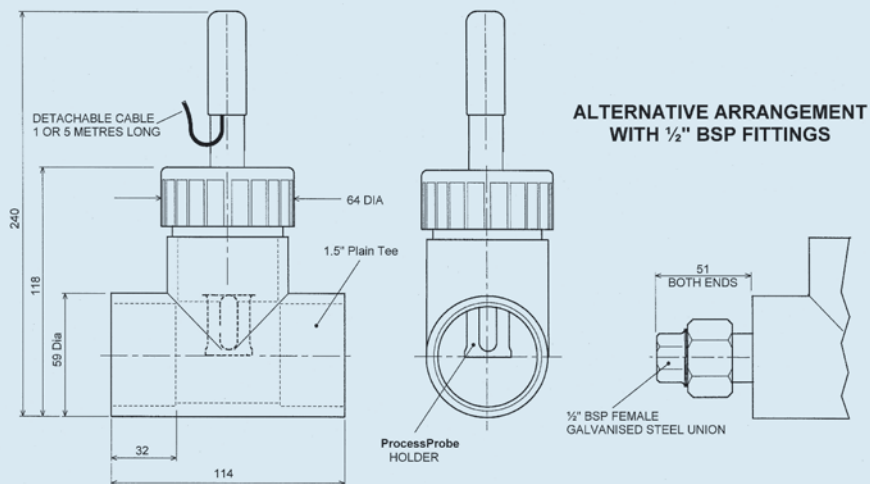
PME20 Holder



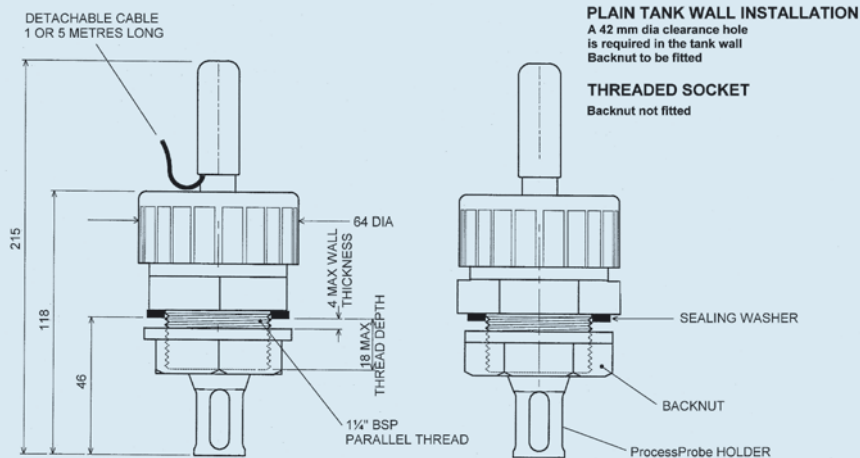
PME22



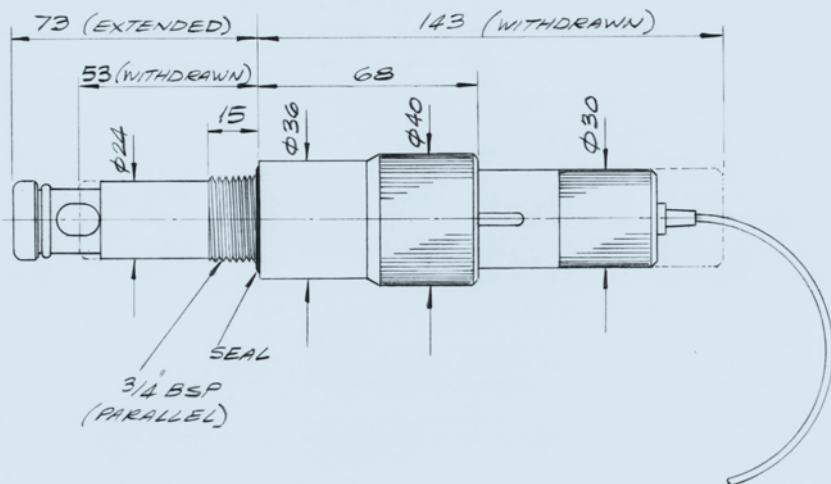
PME24



PME27



WPA1



Specification

PME20 Series holders

Operating temperature

-5 to 60°C (not freezing).

Operating pressure

Vacuum to 6.5 bar (100 psi).
 (Except PME22)

Wetted materials

PVC-U, EPDM washer,
 silicon O ring and sensor.

WPA1 Holders

WPA1/PV

Body material:

CPVC

Maximum pressure/temperature:

5 bar at 60°C reducing to 2 bar at 80°C.

WPA1/PK

Body material:

PEEK

Maximum pressure/temperature:

Up to 5 bar at 110°C

Order Codes

Type No	Part No	Description
PME20	2133	0.5" BSP PVC pipe or tank holder
PME22	2128	600mm dip PVC holder only
PME22	2129	1200mm dip PVC holder only
PME24	2130	1.5" plain tee PVC inline holder only
PME24	2131	0.5" BSP tee PVC inline holder only
PME27	2132	1.25" BSP PVC insertion holder only
	6081	PME22 PVC tank wall angled flange adapter
	1624	PME22 stainless steel mounting bracket
	6082	PME22 1" PVC adjustable flange
WPA/PVC	2203	Withdrawable holder CPVC
WPA/PK	2202	Withdrawable holder PEEK



These products comply with current European Directives

LTH Electronics Ltd reserves the right to make changes to this data sheet or the product without notice, as part of our policy of continued developments and improvements. All care has been taken to ensure the accuracy of information contained in this data sheet. However we cannot accept responsibility for any errors or damages resulting from errors or inaccuracies of information contained herein.